

Compact unit requires little space for pipes, fits under sinks.

Electrolyzed Water Production System

Direct Output Type

ROX-20TB

Under-Counter Type

Daily Output Capacity

Alkaline Electrolyzed Water (Cleaning Water) **Approx. 2.2~4.3t**

Acidic Electrolyzed Water (Sanitizing Water) **Approx. 2.2~4.3t**



(Japanese model shown)

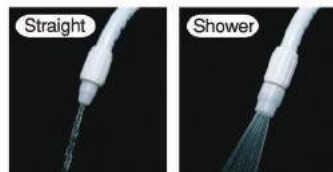
Sanitary touchless operation-emit water just by holding up your hand to the sensor.

The unit features a built-in contactless sensor. Just hold your hand up to the sensor; the sensor detects your hand and automatically emits electrolyzed water. The system is very sanitary, as it outputs water without hand contact.



Equipped with Easy-to-Use Flex Nozzles.

These units feature flexible pouring nozzles that can be bent to any desired angle. The nozzle also can be switched to emit water in a shower flow.



Emit Continuously or at Predetermined Times.

The system features two output modes, a normal mode that provides a continuous stream only when and in the amount needed, and one that allows users to set a timer and have the stream start and automatically shut off at preset times. This is a convenient feature for tasks such as filling sinks with electrolyzed water.

Indicator and Control Panels Are Easy to Read and Use.

Indicator Panel



(Japanese model shown)

Control Panel



Adjust Flow Rate Easily with a Single Switch.

The flow rate can be adjusted just by pressing the control panel's flow adjustment switch. Select from "Low," "Standard," and "High" flow rates.

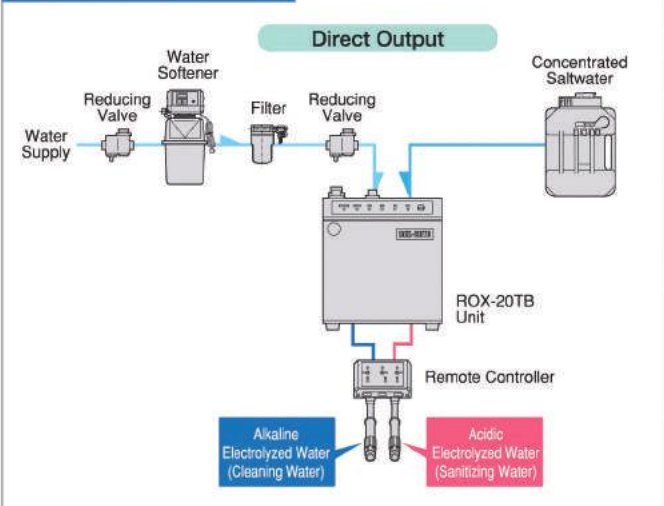
※Output capacity may not increase if supply water pressure is insufficient.

Alkaline Electrolyzed Water (Cleaning Water)	Acidic Electrolyzed Water (Sanitizing Water)
Approx. 3.0L/min	Approx. 3.0L/min

Sample Installation



Piping Diagrams

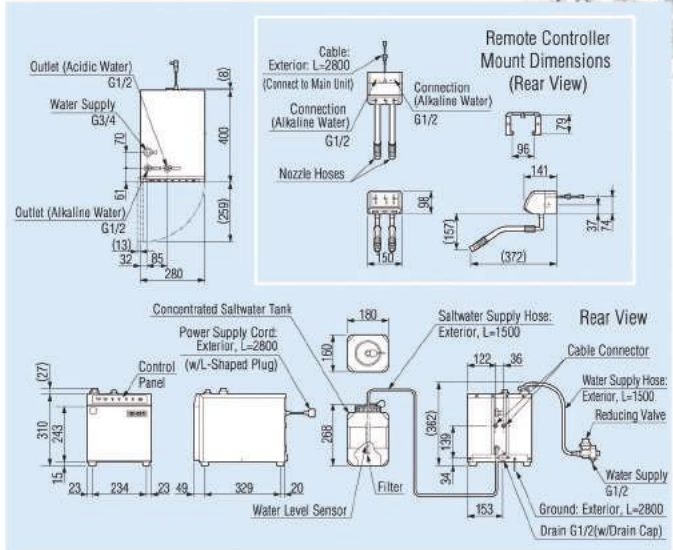


ROX-20TB

Power Supply	Single-phase 100 V, 50/60 Hz, 0.99 kVA (9.89 A)	
Power Consumption	170/170 W	
Standard Performance	Electrolyzed Water Output	Acidic electrolyzed water (sanitizing water), alkaline electrolyzed water (cleaning water): approx. 2.0 L/min
	Available Chlorine Concentration	Acidic electrolyzed water (sanitizing water): 20-60 mg/kg
Reference Performance	Electrolyzed Water pH	Acidic electrolyzed water (sanitizing water): approx. 2.7 or under; alkaline electrolyzed water (cleaning water): approx. 11.3 or above (with Toyoake City water)
	Electrolyzed Water Output	Acidic electrolyzed water (sanitizing water), alkaline electrolyzed water (cleaning water): approx. 1.5-3.0 L/min (however, minimum supply water pressure of 0.15 MPa required for generation at 2.0-3.0 L/min)
Reference Performance	Available Chlorine Concentration	At production rate of approx. 3 L/min: ACC for acidic electrolyzed water (sanitizing water): 10 mg/kg or above
	Electrolyzed Water pH	Acidic electrolyzed water (sanitizing water): approx. 2.9-3.3; alkaline electrolyzed water (cleaning water): approx. 10.5-11.0 or above (Note) May vary according to quality of water source and water temperature.
Exterior Dimensions	W: 280 mm x D: 400 mm x H: 310 mm	
Connections	Supply: G3/4 (reducing valve G1/2); outlet G1/2; drain G1/2	
Weight	Approx. 22 kg (28 kg packaged)	
Water Supply	Must conform to waterworks standards, with water softener and filter required	
Usage Temperature Range	Ambient temperature range: 5-35°C; water temperature: 5-30°C; relative humidity: 85% max. (condensation not permissible)	
Installation Siting	Must meet interior specifications, with ventilation required	
Allowable Voltage Range	±10% of rated voltage	
Salt	Table salt (sodium chloride) from Salt Industry Center of Japan (min.purity 99%)	
Accessories	Concentrated saltwater tank (5 L), caps (2), connector hose set, nozzle hoses (2), output hose, hose clamp, pH tester (TB, AZY), chlorine tester, beaker, gasket, reducing valve (0.15MPa) operation instruction sheet, remote controller, braided hose, bracket/remote, union/elbow, rubber syringe, shower nozzle, straight nozzle, O-ring, elbow fitting	

<Important Notes>

1. Grounding is mandatory. 2. Environment must be free of dust, with good ventilation. 3. Piping outside equipment must be insulated, condensation is not permissible. 4. Pipe resistance in piping outside equipment must be uniform. 5. Rated values indicated are measured values based on technical standards for electric devices, with 30°C ambient temperature, water temperature of 25°C, water supplied by Toyoake City. 6. Notes regarding installation requirements. Ensure system is used properly in accordance with conditions regarding placement, water supply and drainage, power supply, and other stipulations in the operation manual and installation manual. As actual space for installation may differ slightly, allow approximately 10 mm additional space in dimensions (space for ventilation and piping is in addition to the space required for installation of the unit).



“I believe that MGK ROX Water is the future of chemical free cleaning and sanitizing for the 21th century.”

Ian Hopper, Immediate past President FCSI, Worldwide

